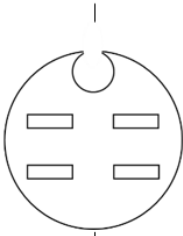
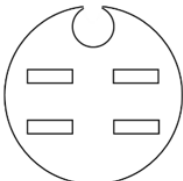


User Name:	Lab:	Session Date:	Morning Afternoon Evening
Sample:			
Dewar & storage tube name:		<input type="checkbox"/> Talos	<input type="checkbox"/> Titan Krios

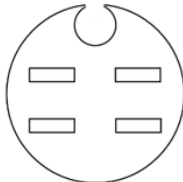
Grid Box Name: _____



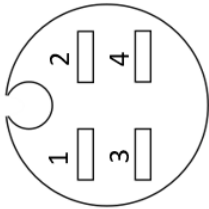
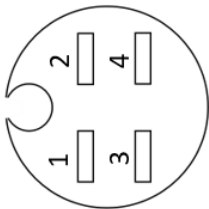
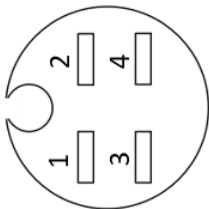
Grid Box Name: _____



Grid Box Name: _____



Total grids: _____
 _____ grids need to clip

Auto-Grid Box Name: _____	
	1
	2
	3
	4
Auto-Grid Box Name: _____	
	1
	2
	3
	4
Auto-Grid Box Name: _____	
	1
	2
	3
	4

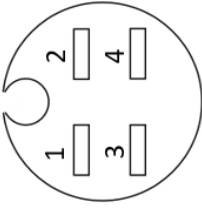
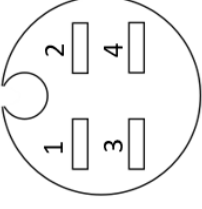
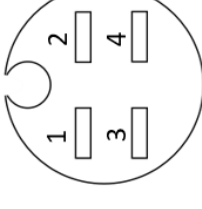
Total clipping: _____

STAFF USE

USER SIGN: _____

Grids recycling and storage

Circle slot number of Grids to be saved	
12	
11	
10	
9	
8	
7	
6	
5	
4	
3	
2	
1	

Date:					
Storage tube name:					
Auto-Grid Box Name:					
	<table border="1" style="width: 100%; border-collapse: collapse;"> <tr><td style="text-align: center;">1</td></tr> <tr><td style="text-align: center;">2</td></tr> <tr><td style="text-align: center;">3</td></tr> <tr><td style="text-align: center;">4</td></tr> </table>	1	2	3	4
1					
2					
3					
4					
Storage tube name:					
Auto-Grid Box Name:					
	<table border="1" style="width: 100%; border-collapse: collapse;"> <tr><td style="text-align: center;">1</td></tr> <tr><td style="text-align: center;">2</td></tr> <tr><td style="text-align: center;">3</td></tr> <tr><td style="text-align: center;">4</td></tr> </table>	1	2	3	4
1					
2					
3					
4					
Storage tube name:					
Auto-Grid Box Name:					
	<table border="1" style="width: 100%; border-collapse: collapse;"> <tr><td style="text-align: center;">1</td></tr> <tr><td style="text-align: center;">2</td></tr> <tr><td style="text-align: center;">3</td></tr> <tr><td style="text-align: center;">4</td></tr> </table>	1	2	3	4
1					
2					
3					
4					

STAFF USE

STAFF USE