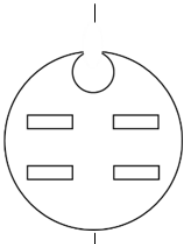
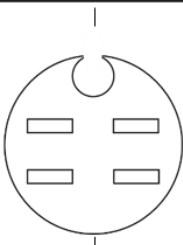
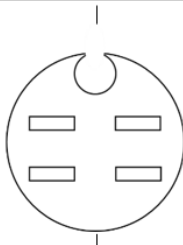
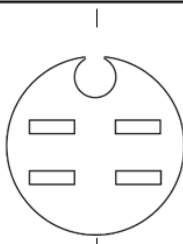


User Name:	Lab:	Session Date:	Morning Afternoon Evening
Sample:			
Dewar & storage tube name:		<input type="checkbox"/> Talos <input type="checkbox"/> Titan Krios	

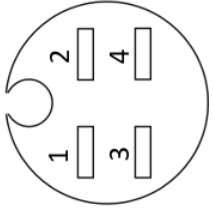
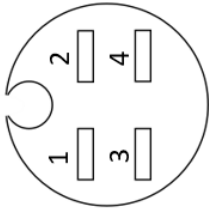
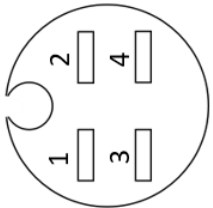
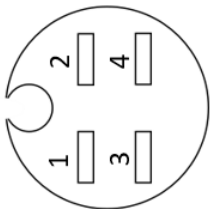
Grid Box Name:


Grid Box Name:


Grid Box Name:


Grid Box Name:


Total grids: _____ _____ grids need to clip
--

Auto-Grid Box Name:	
	1 2 3 4
Auto-Grid Box Name:	
	1 2 3 4
Auto-Grid Box Name:	
	1 2 3 4
Auto-Grid Box Name:	
	1 2 3 4
Total clipping: _____	

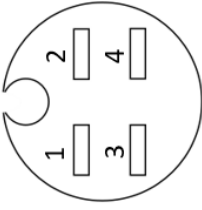
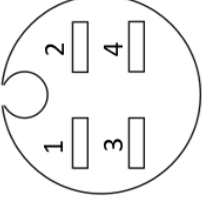
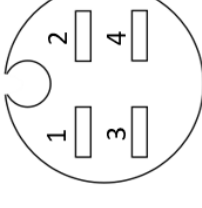
STAFF USE

STAFF USE

USER SIGN: _____

Grids recycling and storage

Circle slot number of Grids to be saved	
12	
11	
10	
9	
8	
7	
6	
5	
4	
3	
2	
1	

Date:					
Storage tube name:					
Auto-Grid Box Name:					
	<table border="1" style="width: 100%; border-collapse: collapse;"> <tr><td style="text-align: center; padding: 5px;">1</td></tr> <tr><td style="text-align: center; padding: 5px;">2</td></tr> <tr><td style="text-align: center; padding: 5px;">3</td></tr> <tr><td style="text-align: center; padding: 5px;">4</td></tr> </table>	1	2	3	4
1					
2					
3					
4					
Storage tube name:					
Auto-Grid Box Name:					
	<table border="1" style="width: 100%; border-collapse: collapse;"> <tr><td style="text-align: center; padding: 5px;">1</td></tr> <tr><td style="text-align: center; padding: 5px;">2</td></tr> <tr><td style="text-align: center; padding: 5px;">3</td></tr> <tr><td style="text-align: center; padding: 5px;">4</td></tr> </table>	1	2	3	4
1					
2					
3					
4					
Storage tube name:					
Auto-Grid Box Name:					
	<table border="1" style="width: 100%; border-collapse: collapse;"> <tr><td style="text-align: center; padding: 5px;">1</td></tr> <tr><td style="text-align: center; padding: 5px;">2</td></tr> <tr><td style="text-align: center; padding: 5px;">3</td></tr> <tr><td style="text-align: center; padding: 5px;">4</td></tr> </table>	1	2	3	4
1					
2					
3					
4					

SIGN: _____

STAFF USE

STAFF USE